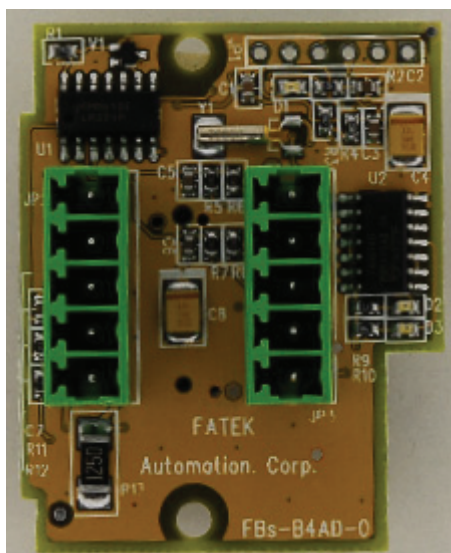


FBs- B4AD

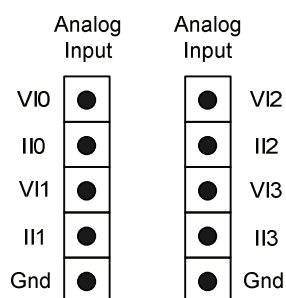
Analog Input Expansion Board



Introduction

FBs-B4AD is one of the analog Input expansion boards of FATEK FBs series PLC.
 For analog input it provides 4 channels of A/D inputs with 12-bit (coded in 14 bits) resolution.
 The Input signal types (voltage or current) can be selected by the field wiring.

Pin Assignment



Specification

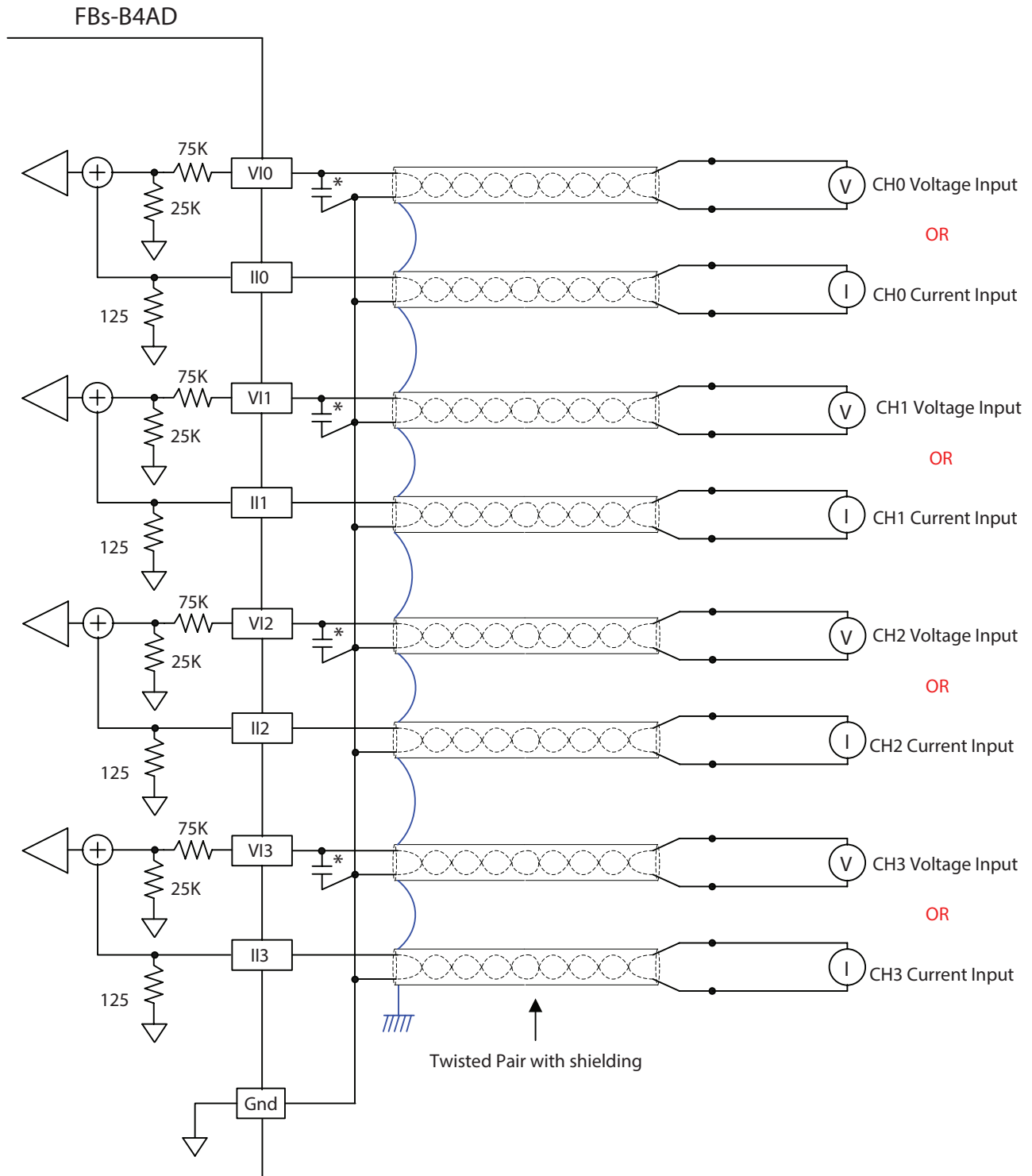
Analog Input

- Total Channels : 4 Channels
- Resolution : 12 bits
- Coding Format : 14 bits (0 ~ 16380)
- Signal Resolution : 2.44mV(Voltage), 4.88uA(Current)
- Registers Occupied : 4 Registers (D4072 ~ D4075)
- Conversion Time : Updated each scan
- Accuracy : ±1 %
- Max. Absolute Input Rating :
 - ±15V(Voltage), 30mA(Current)
- Input Impedance : 100K Ω(Voltage), 125 Ω(Current)
- Measurement Range : 0 ~ 10V(Voltage)
 - 0 ~ 20mA(Current)
- Indicator(s) : No
- Internal Power Consumption : 5V, 100mA (Max. Load)
- Operating Temperature : 0 ~ 60 °C
- Storage Temperature : -20 ~ 80 °C

FBs- B4AD

Analog Input Expansion Board

Wiring Diagram

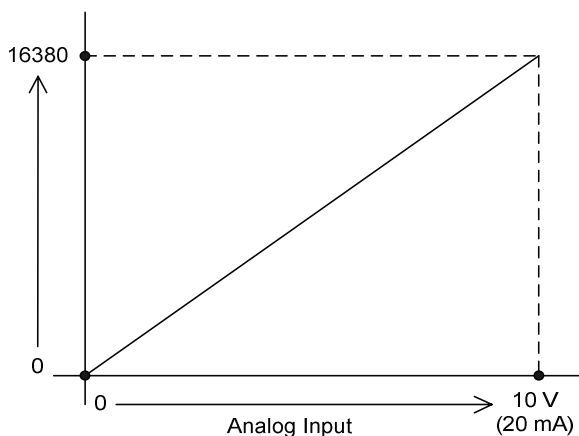


* 0.1 ~ 0.47 uF capacitor (to filter noise)Advice to Install, but not necessary!!

FBs- B4AD

Analog Input Expansion Board

Characteristics Charts



Registers allocation Map

	Channel No.	Mapped Register
Analog Input	CH0	D4072 (0 ~ 16380)
	CH1	D4073 (0 ~ 16380)
	CH2	D4074 (0 ~ 16380)
	CH3	D4075 (0 ~ 16380)